

KWP2000 Gateway

Transport Protocol ISO (UDS prepared) AI2 Application

- Intelligent Gateway for KWP2000 communication of a automotive ECU to a RS232 Host
- Simple host (RS232) programming without any hard requirements of timing
- Host could be PC with Windows 98, 2000 or XP
- Host programming with Visual C++ or C# is possible
- Supported KWP2000: Daimler Chrysler, Porsche, IVECO
- Supported ECU: CAN High or Low Speed
- Supported RS232: 9600, 19200, 38400 Baud
- Host: Typical will be PC, SPS like Siemens S5 and S7, PLS



- Fast transfer time of less than 1ms
- Intelligent and Gateway local handling of the Tester Present Timing
- Response Pending Handling is completely handled by Gateway and not transferred to RS232
- Timing and CAN-Transmission is fully executed from the Gateway without host intervention
- Easy and approved RS232 protocol: SSLP
- Source Code in C++ and C# is available

Usage

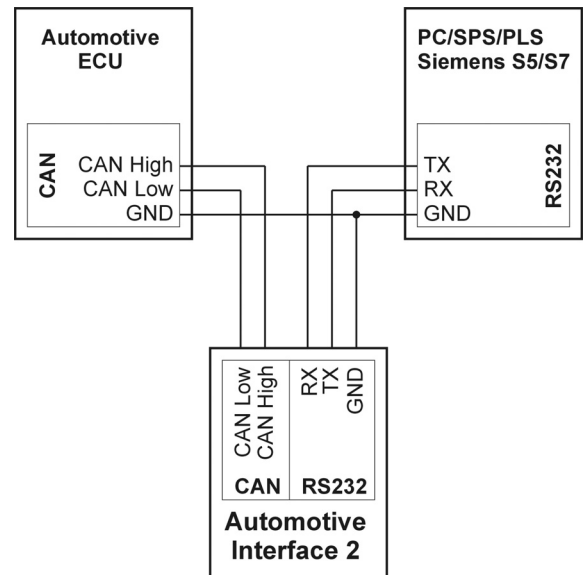
- Gateway will used in production or automated testing area
- Long Term Verification
- Hard- and Software Test Benches



KOPF GmbH
 Kapbachstrasse 6
 76829 Landau
 Tel. +49 6341 91767-0
 Fax. +49 6341 91767-50
 Email: info@kopfweb.de
 AGB unter : <http://www.kopfweb.de/kontakt.htm>

Intelligent KWP2000 Gateway

Hardware Connection



Overview Technical Data AI2

Voltage supply	USB or 8-30 V DC
CAN-Interface	2x 82C251 / TJA1050
LIN-Interface	1x TJA1020
RS232-Interface	1x HIN202 (PC,SPS)
USB-Interface	1x FTDI245
Dimensions (WxDxH)	60x122x36 mm
Weight	0,2 kg
Temperature range	-40°C – 85 °C (0°C-50°C USB)
Processor	MC9S12DP256/25
MHz	
System Memory	256 kB Flash-EPROM (Update over PC) 12 kB RAM

Order- and Price information

Automotive Interface 2	364 €
Ext. Supply 12/24V	452 \$
LIN	
Order-No. 070 010 191C	
AI Cable CAN LIN RS232	38 €
Order-No. 070 010 183	48 \$