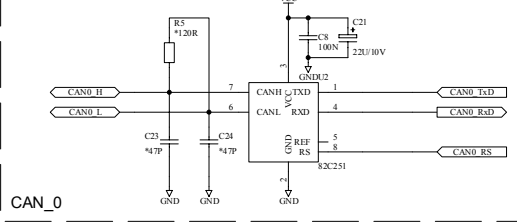
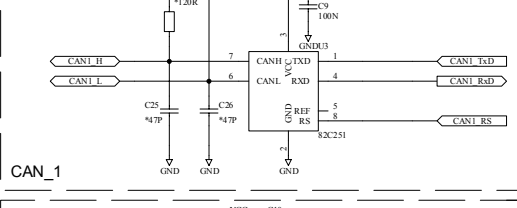


BDM

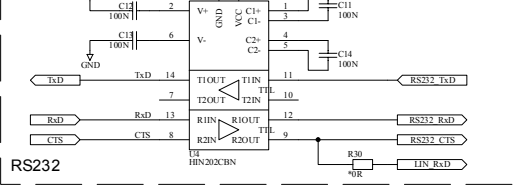
Status LED's



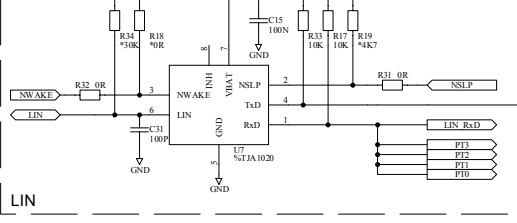
CAN_0



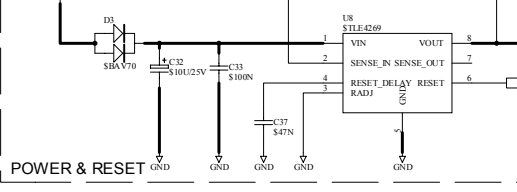
CAN_1



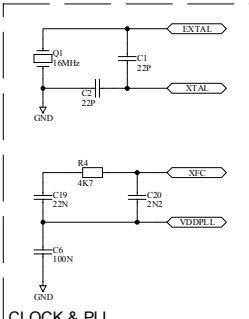
RS232



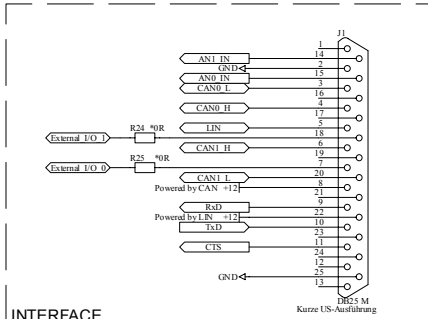
LIN



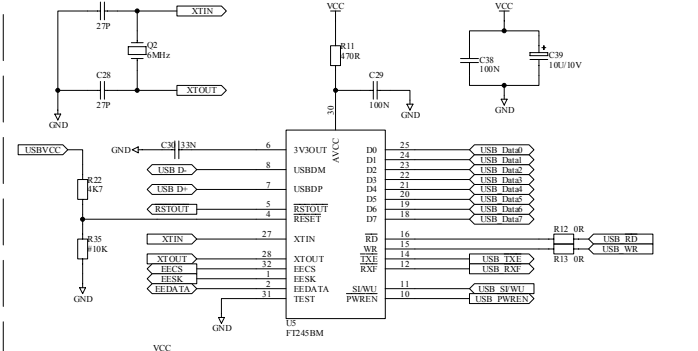
POWER & RESET



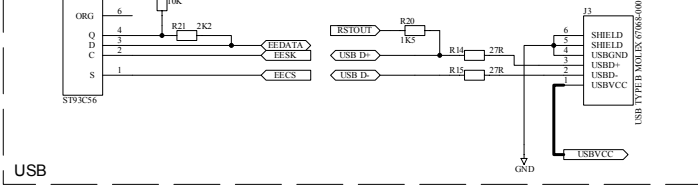
CLOCK & PLL



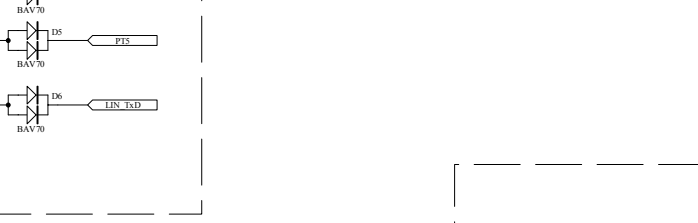
INTERFACE



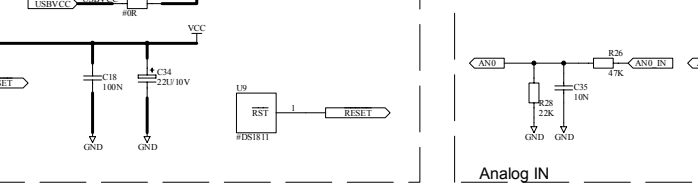
USB



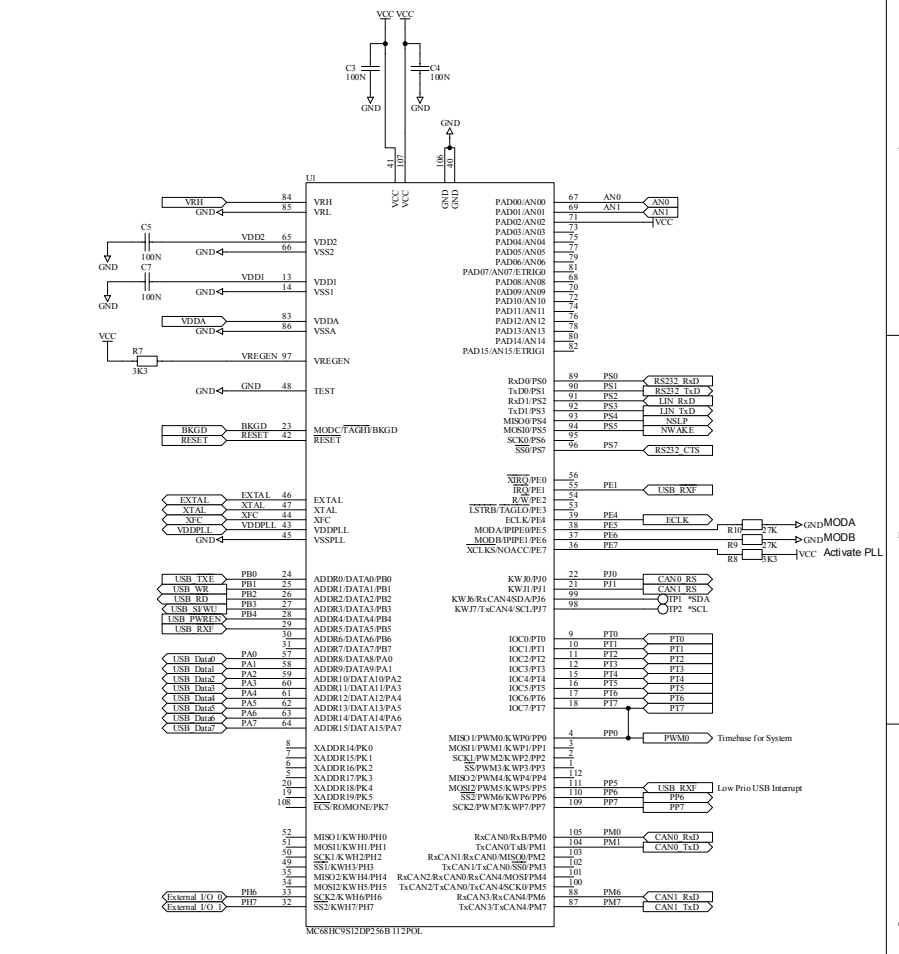
RS232



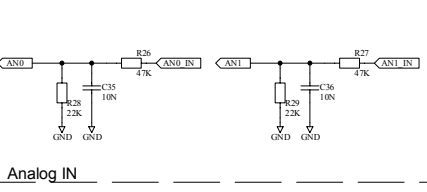
LIN



POWER & RESET



MG8HC9121D256B112POL



Analog IN