

# KWP2000 Gateway

## Transport Protocol TP20 (VW, Audi)

### A AI Application

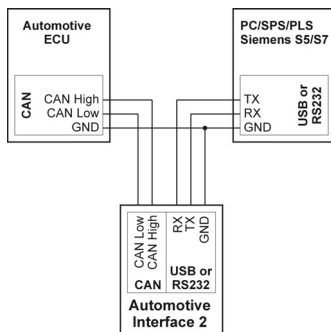
- Intelligent Gateway for KWP2000 communication of a automotive ECU to a RS232 or USB Host
- Simple host (RS232) programming without any hard requirements of timing
- Host could be PC with Windows 98, 2000 or XP
- Host programming with Visual C++ or C# is possible
- Supported KWP2000: VW, Audi, Seat, Skoda
- Supported RS232: 9600, 19200, 38400 Baud
- Host: Typical will be PC, SPS like Siemens S5 and S7, PLS



- Fast transfer time of less than 1ms
- Intelligent and Gateway local handling of the Tester Present Timing
- Response Pending Handling is completely handled by Gateway and not transferred to RS232
- Timing and CAN-Transmission is fully executed from the Gateway without host intervention
- Easy and approved RS232 protocol: SSLP Source Code in C++ and C# is available

### Usage

- Gateway will used in production or automated testing area
- Long Term Verification
- Hard- and Software Test Benches

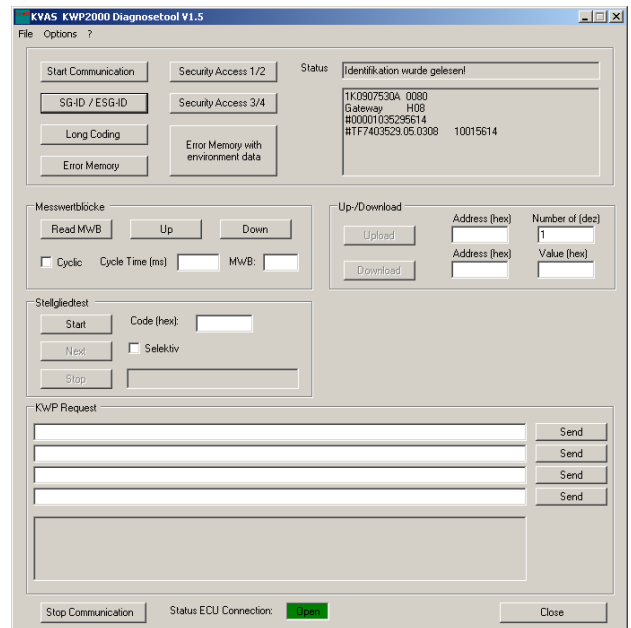


**KOPF** GmbH  
 Kapbachstraße 6  
 76829 Landau  
 Tel. +49 6341 91767-0  
 Fax. +49 6341 91767-50  
 Email: [info@kopfweb.de](mailto:info@kopfweb.de)  
 AGB unter : <http://www.kopfweb.de/kontakt.htm>

# Intelligent KWP2000 Gateway

## KVAS

Diagnostic Toolset for quick startup with the Gateway which is included with every AI2/3.



## Overview Technical Data AI2

Voltage supply	USB
CAN-Interface	2x TJA1050(82C251) 1x TJA1054
RS232-Interface	1x HIN202 (PC,SPS)
USB-Interface	1x FTDI245
Dimensions (LxWxH)	112x60x20 mm
Weight	0,1 kg
Temperature range	-40°C – 85 °C (0°C-50°C USB)
Processor	MC9S12DP256
System Memory	256 kB Flash-EPROM (Update over PC)

## Order- and Price-Information

Automotive Interface 3	328,- €
Order-No. 070 010 193	
Anschlussleitung AI 3CAN	24,- €
Order-No. 070 010 186	